



Donaldson.
FILTRATION SOLUTIONS

Inlet Barrier Filter System for Leonardo AB139 and AW139 Helicopters



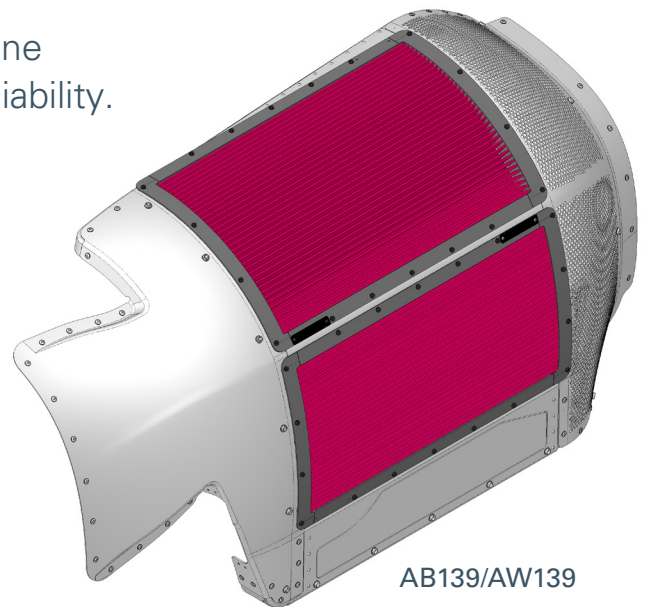
TAKING FILTRATION TO NEW HEIGHTS

Dust, sand and debris routinely attack your turbine engines, hampering efficiency and impacting reliability.

Installing an Inlet Barrier Filter (IBF) system is the most effective way to protect your engine and help meet established engine time between overhaul requirements.

Donaldson's IBF system is available factory direct and delivers:

- + More power available than alternate sand filter options
- + Longer engine life due to elimination of erosion
- + Reduced engine maintenance cost



Product Overview

Features	AB139, AW139: Part number 122000-101, 122000-103
Design Features	Two low-drag conformal fairing assemblies with two filters per side designed for fast filter exchange, fairing assembly structural kit mounted on the existing engine door to create a sealed intake plenum, auxiliary air inlet eliminated, straight forward IBF installation
Filter Life (Service Cycles)	4,500 hours (15 cycles every 300 hours)
Emergency Bypass	Flush inward opening side facing bypass door to protect against dirt and snow; no flight restrictions with bypass open
Components	Easily accessible and common to other models; includes a cockpit annunciation and activation switch along with a filter maintenance aid for on-condition monitoring while aircraft is on the ground. Environmental Cover for all weather non-operating protection included.
Performance	US, Canada, Brazil certified for use with basic inlet charts, backup EAPS charts, Category A operations approved
Certificates (Call for Latest Updates)	STC: United States, Brazil, Canada, India, Malaysia, Mexico Finmeccanica TC: Italy

donaldson.com

Donaldson Company, Inc.

1400 W 94th St
Minneapolis, MN 55431

North America
aerospace.americas@donaldson.com
+877-314-9640

Europe
aerospace.emea@donaldson.com
+33 1 30 86 66 66

IMPORTANT NOTICE: Many factors beyond the control of Donaldson can affect the use and performance of Donaldson products in a particular application, including the conditions under which the product is used. Since these factors are uniquely within the user's knowledge and control, it is essential the user evaluate the products to determine whether the product is fit for the particular purpose and suitable for the user's application. All products, product specifications, availability and data are subject to change without notice, and may vary by region or country.

F112246 ENG (04/25) ©2025 Donaldson Company, Inc. All rights reserved. Donaldson Company, Inc. reserves the right to change or discontinue any model or specification at any time and without notice.



Donaldson
FILTRATION SOLUTIONS