



Donaldson.
FILTRATION SOLUTIONS

Inlet Barrier Filter System for Airbus H160 Helicopters



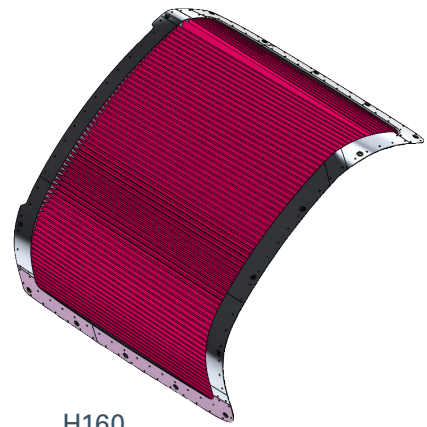
TAKING FILTRATION TO NEW HEIGHTS

Dust, sand and debris routinely attack your turbine engines, hampering efficiency and impacting reliability.

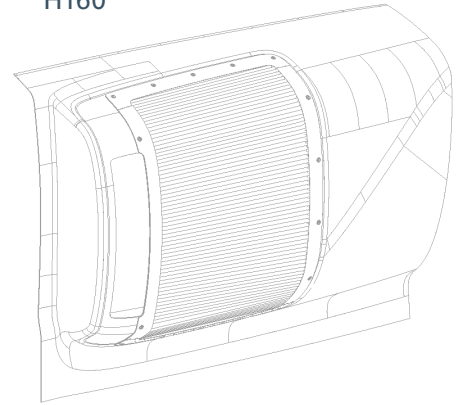
Installing an Inlet Barrier Filter (IBF) system is the most effective way to protect your engine and help meet established engine time between overhaul requirements.

Donaldson's IBF system is available factory direct and delivers:

- + More power available than alternate sand filter options
- + Longer engine life due to elimination of erosion
- + Reduced engine maintenance cost



H160



Product Overview

Features	Airbus H160 Part numbers U716A20T1012/U716A20T1022
Design Features	Two conformal filters that blend into the aircraft's smooth lines. Utilizing captive fasteners, the installation is simple with no modifications.
Filter Life (Service Cycles)	4,500 hours (15 cycles every 300 hours). Cleaning interval is one year, 300 flight hours or 20 mbar whichever occurs first
Certificates (Call for Latest Updates)	EASA and FAA TC

donaldson.com

Donaldson Company, Inc.
Aerospace & Defense Group

1400 W 94th St
Minneapolis, MN 55431

North America
aerospace.americas@donaldson.com
+877-314-9640

Europe
aerospace.emea@donaldson.com
+33 1 30 86 66 66

IMPORTANT NOTICE: Many factors beyond the control of Donaldson can affect the use and performance of Donaldson products in a particular application, including the conditions under which the product is used. Since these factors are uniquely within the user's knowledge and control, it is essential the user evaluate the products to determine whether the product is fit for the particular purpose and suitable for the user's application. All products, product specifications, availability and data are subject to change without notice, and may vary by region or country.

F112282 ENG (04/25) ©2025 Donaldson Company, Inc. All rights reserved. Donaldson Company, Inc. reserves the right to change or discontinue any model or specification at any time and without notice.



Donaldson.
FILTRATION SOLUTIONS