



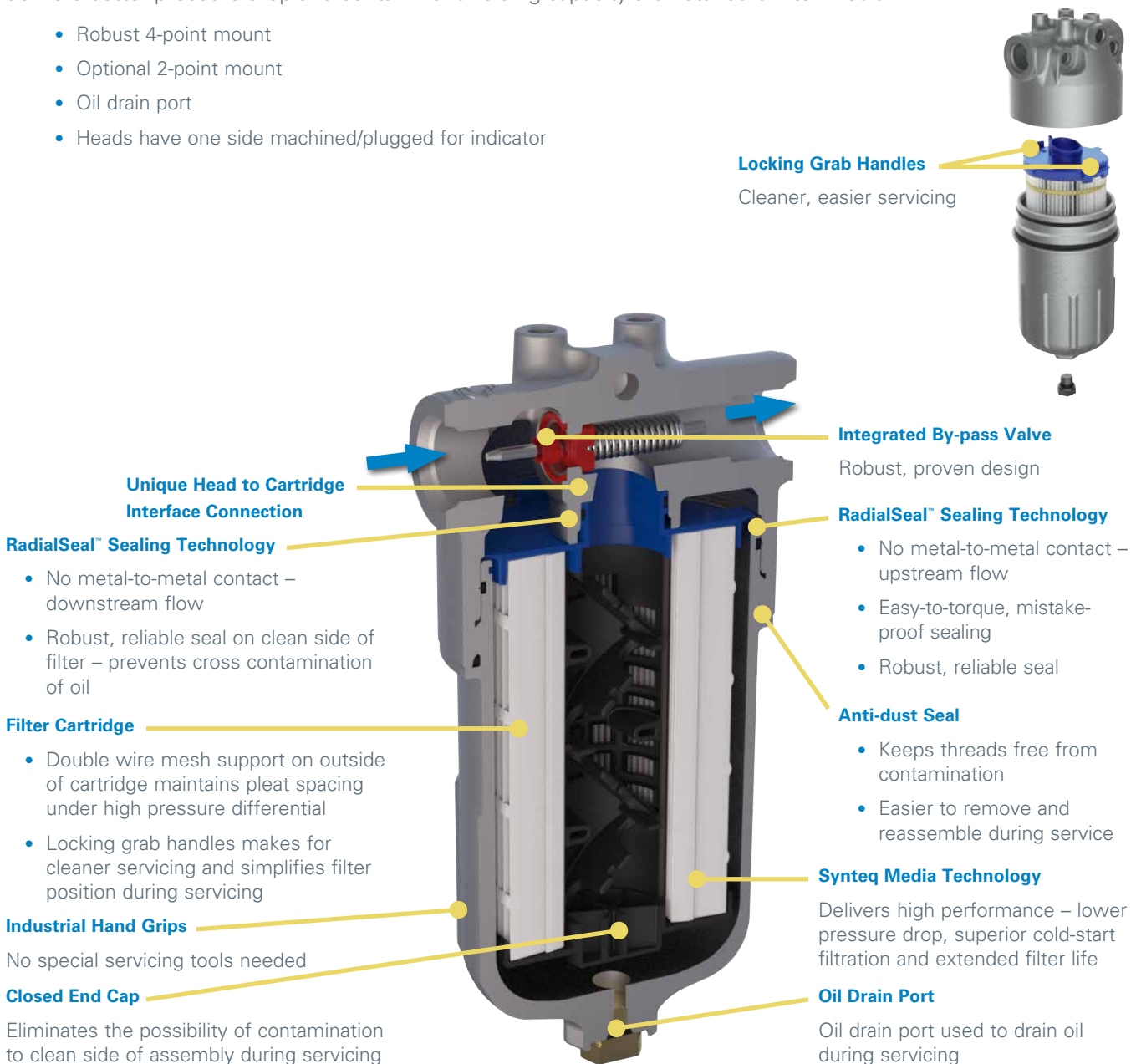
Our FLK hydraulic filtration systems are packed with innovative features that will deliver cleaner, mistake-proof filter servicing.

Features

The FLK assembly is a robust, reusable housing with a disposable cartridge design. The versatile filter head accommodates multiple housing lengths. Raised hand grips make it easy to remove the housing from the head without special servicing tools. The oil drain port on the bottom of the housing allows cleaner, easier servicing. The filter tabs lock into place – simplifying positioning during reassembly.

A unique sealing technology protects systems from harmful ingressed contaminants and cross contamination. The RadialSeal™ interface increases surface area to provide a robust connection with superior vibration resistance. Extended surface area gives advanced filtration performance. Donaldson's proprietary Synteq™ media technology delivers better pressure drop and contaminant holding capacity than standard filter media.

- Robust 4-point mount
- Optional 2-point mount
- Oil drain port
- Heads have one side machined/plugged for indicator



FLK90 In-Line Cartridge Filters

Working Pressures to:

580 psi / 4002 kPa / 40 bar

Rated Static Burst to:

2000 psi / 13,790 kPa / 138 bar

Flow Range To:

40 gpm / 151 lpm

Applications

- Hydrostatic Charge Pumps
- Hydrostatic Transmission
- Pilot Control Circuits



IMPORTANT SERVICE INSTRUCTIONS:

To prevent thread damage when installing new filter, fully lubricate the entire thread and O-Ring surface with a Molybdenum-containing gear oil or anti-seize paste such as Schaeffer #214S Supreme One 80W-140 gear oil or Dow Corning Molykote P-37 anti-seize paste.

Beta Rating

- Performance to $\beta_{<60>}$ =1000

Porting Size Options

- SAE-12 O-Ring
- SAE-16 O-Ring

Replacement Filter Lengths

- 4.21" / 107mm
- 8.23" / 209mm

Standard Bypass Ratings

- 50 psi / 345 kPa / 3.5 bar
- No bypass

Assembly Weight

- Long Housing: 2.33 kg / 5.14 lbs
- Short Housing: 1.82 kg / 4.01 lbs

Operating Temperatures

- -40° to 250°F (-40° to 121°C)

Filter Collapse Ratings

- 145 psid / 1000 kPa / 10 bar (standard)



FLK90

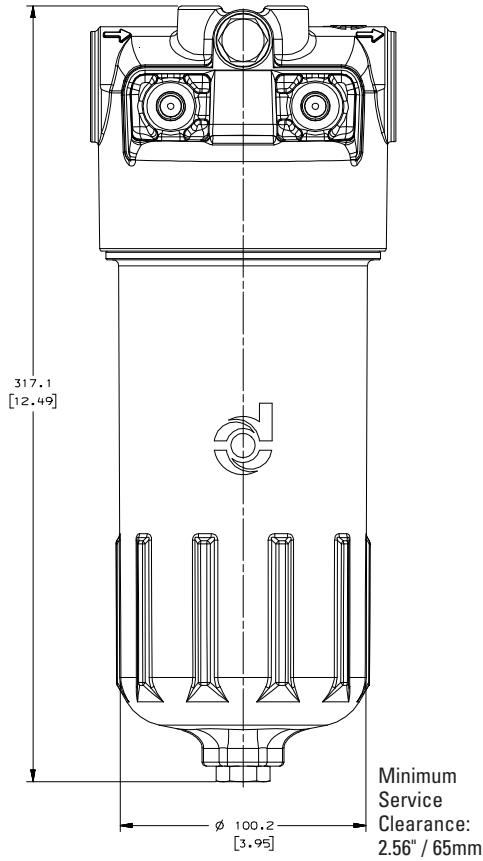
Max Flow: 40 gpm (151 lpm)



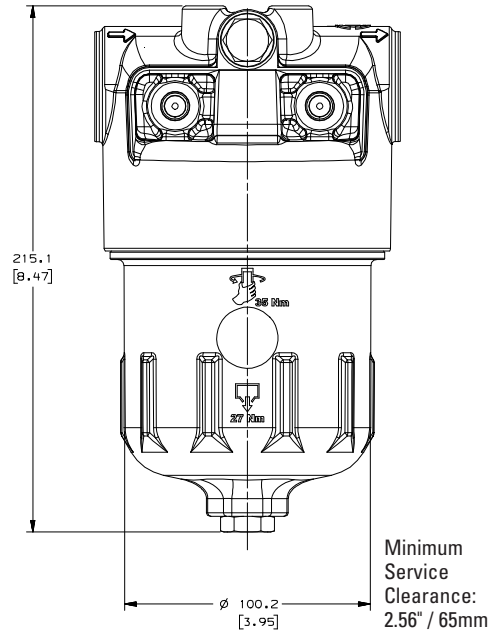
FLK Specification Illustrations

LONG ASSEMBLY - SIDE VIEW

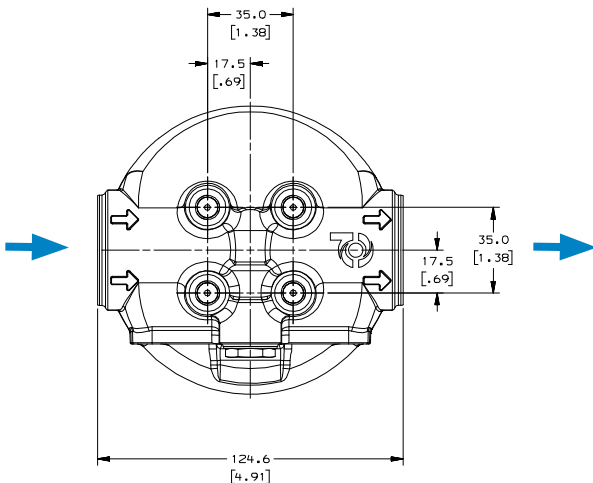
All dimensions are shown in millimeters [inches].



SHORT ASSEMBLY - SIDE VIEW



HEAD - TOP VIEW



FLK90 Components

Filter Choices

Media Type	$\beta_{x(e)} = 1000$	Length		Part No.
	Rating based on ISO 16889	in	mm	
Short Length Assembly				
Synteq Synthetic	6 μm	4.21	107	P767128
	11 μm	4.21	107	P766987
	15 μm	4.21	107	P767129
Long Length Assembly				
Synteq Synthetic	6 μm	8.23	209	P767130
	11 μm	8.23	209	P766959
	15 μm	8.23	209	P767131

Head Choices

Part No.	Port Connections	Bypass Valve
P574994	SAE-12	50 psi (3.4 bar) bypass
P574995	SAE-12	No bypass
P574996	SAE-16	50 psi (3.4 bar) bypass
P574997	SAE-16	No bypass

Housing Choices

Part No.	Comments
P766990	Short length assembly
P766961	Long length assembly

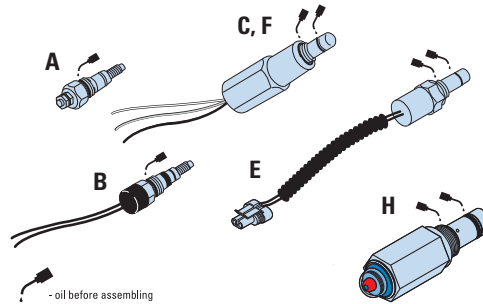
Service Indicator Choices

Use with Bypass Valve Pressure of:	Indicator Part No.	Style ²	Description
Electric Models¹			
50 psi / 345 kPa	P165194	A	Single post DC. N.O.
50 psi / 345 kPa	P574968	B	DC 2-wire.
50 psi / 345 kPa	P574967	E	DC 2-wire.
50 psi / 345 kPa	P575549	F	DC 3-wire.
50 psi / 345 kPa	P174396	C	AC/DC 3-wire.
25 psi / 172.5 kPa	P575334	H	Visual pop up
50 psi / 345 kPa	P575335	H	Visual pop up

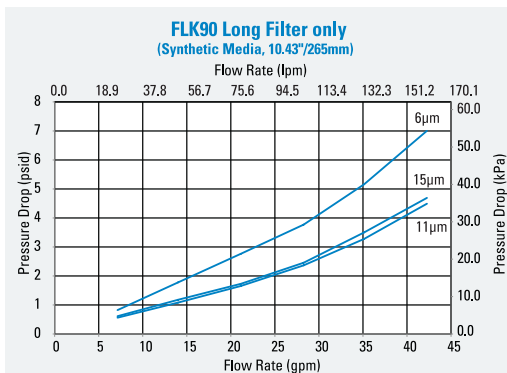
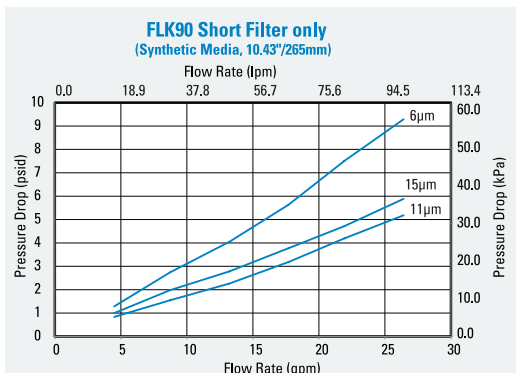
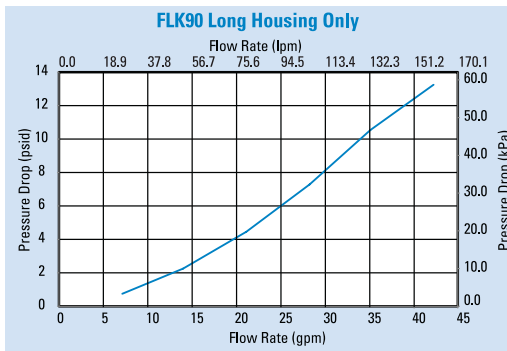
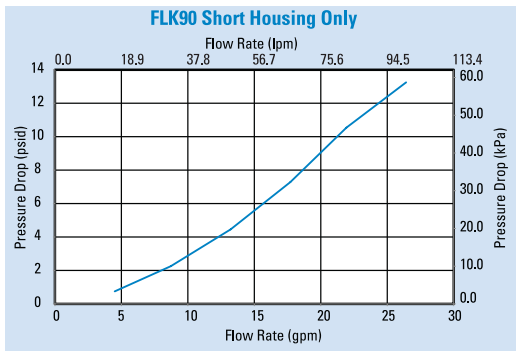
Indicator Notes

¹All electric models have a maximum operating temperature of 250°F / 121°C.

²Complete details on all service indicators can be found in the accessories section.



Performance Data





FLK110

Max Flow: 42 gpm (159 lpm)



FLK110 In-Line Cartridge Filters

Working Pressures to:

435 psi / 3001 kPa / 30 bar

Rated Static Burst to:

1300 psi / 8970 kPa / 90 bar

Flow Range To:

42 gpm / 159 lpm

Applications

- Hydrostatic Charge Pumps
- Hydrostatic Transmission
- Pilot Control Circuits



IMPORTANT SERVICE INSTRUCTIONS:

To prevent thread damage when installing new filter, fully lubricate the entire thread and O-Ring surface with a Molybdenum-containing gear oil or anti-seize paste such as Schaeffer #214S Supreme One 80W-140 gear oil or Dow Corning Molykote P-37 anti-seize paste.

Beta Rating

- Performance to $\beta_{<60>}$ =1000

Porting Size Options

- SAE-20 O-Ring

Replacement Filter Lengths

- 7.4" / 187.9mm
- 10.43" / 264.9mm

Standard Bypass Ratings

- 50 psi / 345 kPa / 3.5 bar
- No bypass

Assembly Weight

- Long Housing: 1.34 kg / 2.95 lb
- Short Housing: 1.01 kg / 2.22 lb

Operating Temperatures

- -40° to 250°F (-40° to 121°C)

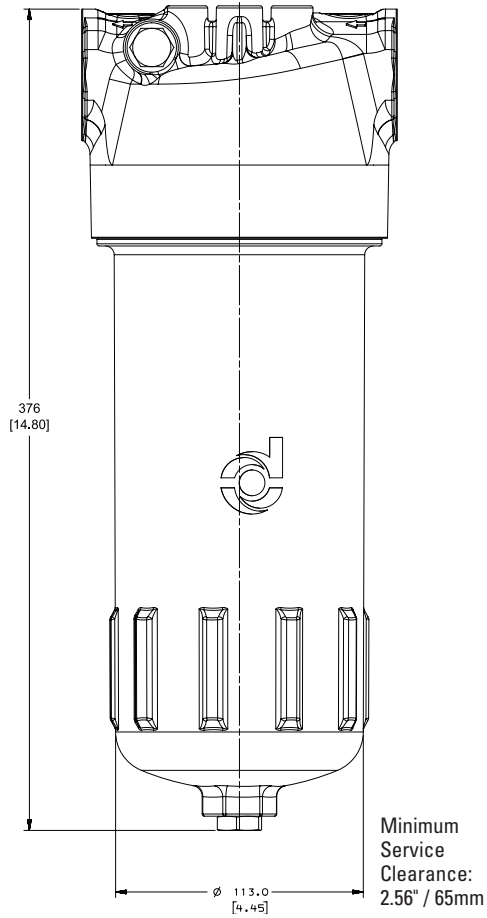
Filter Collapse Ratings

- 145 psid / 1000 kPa / 10 bar (standard)

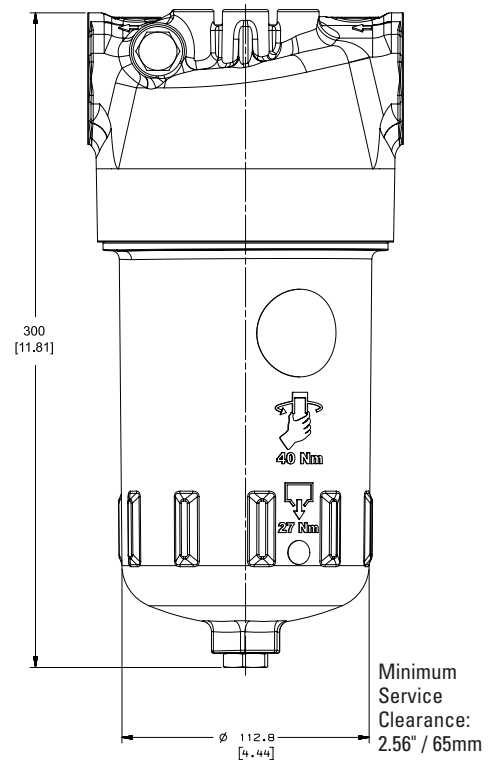
FLK Specification Illustrations

LONG ASSEMBLY - SIDE VIEW

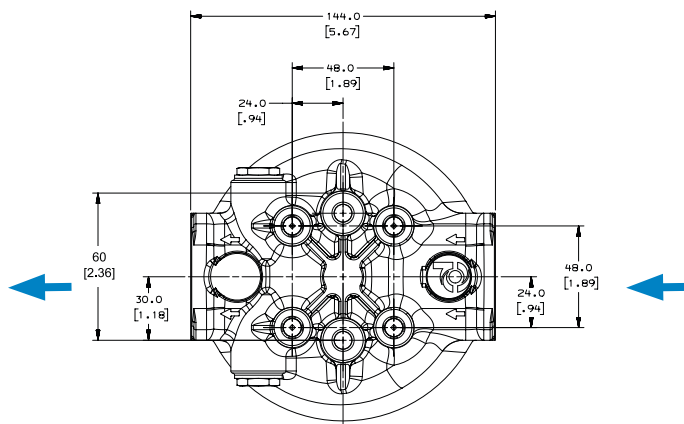
All dimensions are shown in millimeters [inches].



SHORT ASSEMBLY - SIDE VIEW



HEAD - TOP VIEW





FLK110

Max Flow: 42 gpm (159 lpm)



FLK110 Components

Filter Choices

Media Type	$\beta_{x10} = 1000$	Length		Part No.
	Rating based on ISO 16889	in	mm	
Short Length Assembly				
Synteq Synthetic	6 μm	7.4	187	P766847
	11 μm	7.4	187	P766813
	15 μm	7.4	187	P767012
Long Length Assembly				
Synteq Synthetic	6 μm	10.43	265	P767010
	11 μm	10.43	265	P766811
	15 μm	10.43	265	P767011

Head Choices

Part No.	Port Connections	Bypass Valve
P766831	SAE-20	50 psi (3.4 bar) bypass
P767009	SAE-20	No bypass

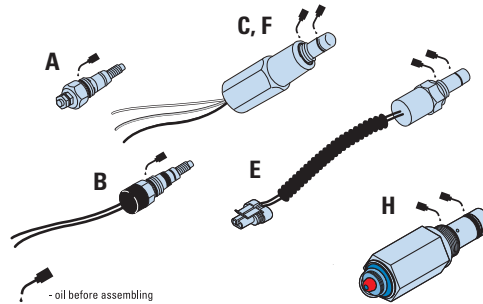
Housing Choices

Part No.	Comments
P766812	Short length assembly
P766810	Long length assembly

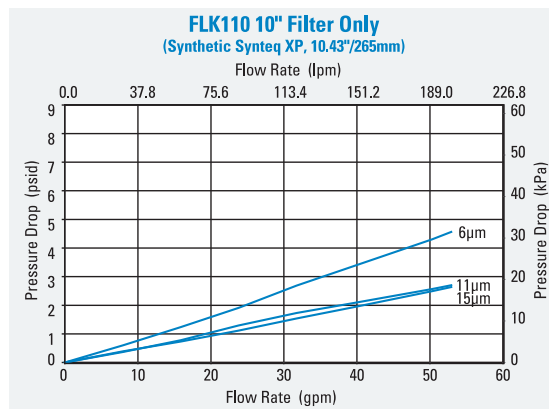
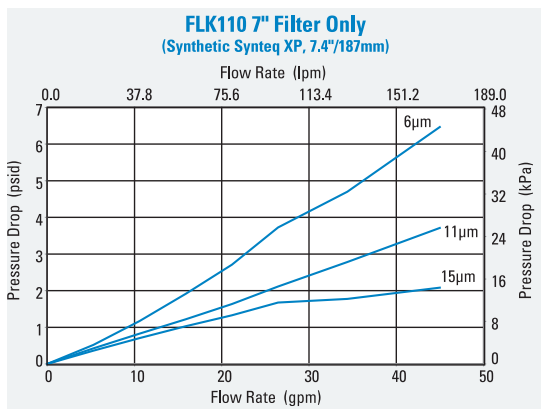
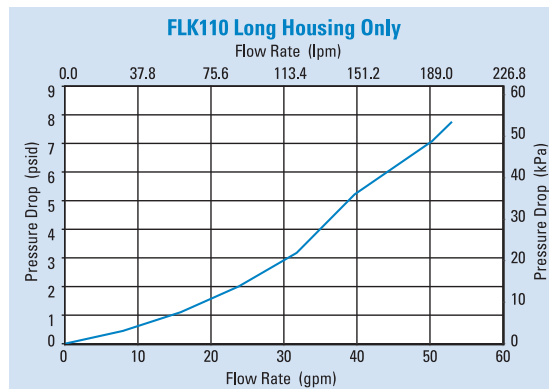
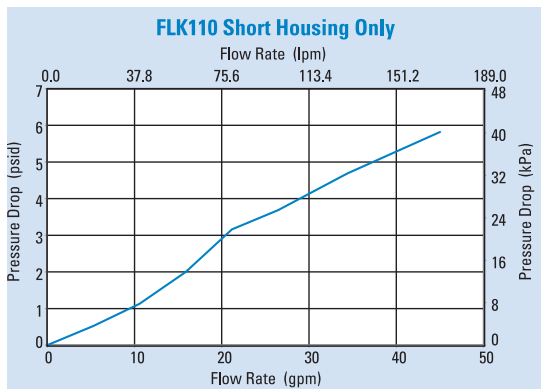
Service Indicator Choices

Use with Bypass Valve Pressure of:	Indicator Part No.	Style ²	Description
Electric Models¹			
50 psi / 345 kPa	P165194	A	Single post DC. N.O.
50 psi / 345 kPa	P574968	B	DC 2-wire
50 psi / 345 kPa	P574967	E	DC 2-wire
50 psi / 345 kPa	P575549	F	DC 3-wire
50 psi / 345 kPa	P174396	C	AC/DC 3-wire
25 psi / 172.5 kPa	P575334	H	Visual pop up
50 psi / 345 kPa	P575335	H	Visual pop up

¹Indicator Notes
 All electric models have a maximum operating temperature of 250°F / 121°C.
²Complete details on all service indicators can be found in the accessories section.



Performance Data



FLK125 In-Line Cartridge Filters

Working Pressures to:

508 psi / 3505 kPa / 35.1 bar

Rated Static Burst to:

2000 psi / 13,790 kPa / 138 bar

Flow Range To:

85 gpm / 322 lpm

Applications

- Hydrostatic Charge Pumps
- Hydrostatic Transmission
- Pilot Control Circuits



IMPORTANT SERVICE INSTRUCTIONS:

To prevent thread damage when installing new filter, fully lubricate the entire thread and O-Ring surface with a Molybdenum-containing gear oil or anti-seize paste such as Schaeffer #214S Supreme One 80W-140 gear oil or Dow Corning Molykote P-37 anti-seize paste.

Beta Rating

- Performance to $\beta_{<61\mu}</math>=1000$

Porting Size Options

- 2" SAE 4 Bolt Flange Code 61

Replacement Filter Lengths

- 10.85" / 275.7mm

Standard Bypass Ratings

- 50 psi / 345 kPa / 3.5 bar

Assembly Weight

- Long Housing: 4.76 kg / 10.50 lbs

Operating Temperatures

- -40° to 250°F (-40° to 121°C)

Filter Collapse Ratings

- 145 psid / 1000 kPa / 10 bar (standard)



FLK125

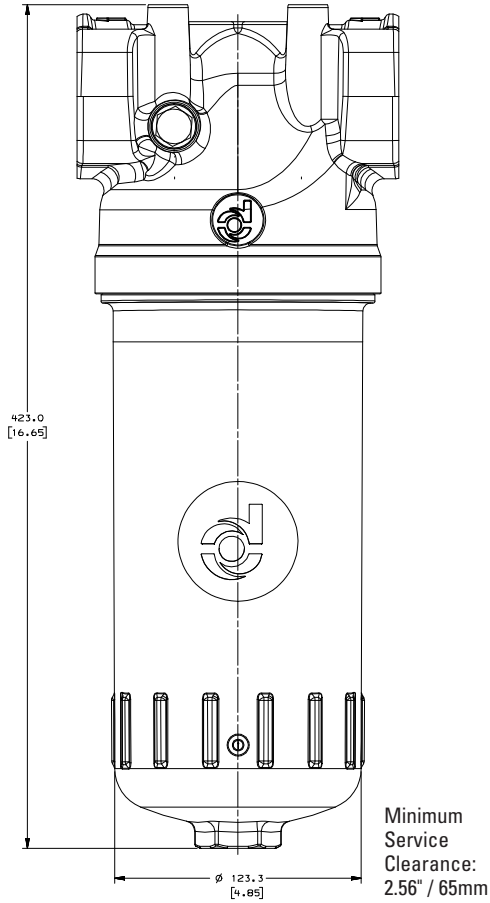
Max Flow: 85 gpm (322 lpm)



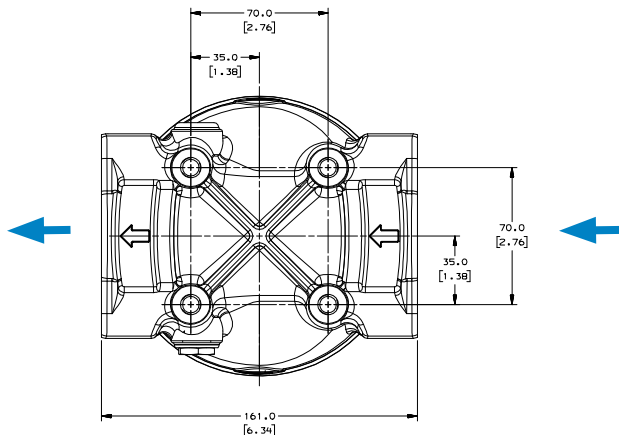
FLK Specification Illustrations

LONG ASSEMBLY - SIDE VIEW

All dimensions are shown in millimeters [inches].



HEAD - TOP VIEW



FLK125 Components

Filter Choices

Media Type	$\beta_{x(c)} = 1000$	Length		Part No.
	Rating based on ISO 16889	in	mm	
Synteq Synthetic	6 μm	10.74	272.7	P767084
	11 μm	10.74	272.7	P767104
	15 μm	10.74	272.7	P767106

Head Choices

Part No.	Port Connections	Bypass Valve
P767095	2" SAE 4 bolt	50 psi (3.4 bar) bypass

Housing Choices

Part No.	Comments
P767089	Long length assembly

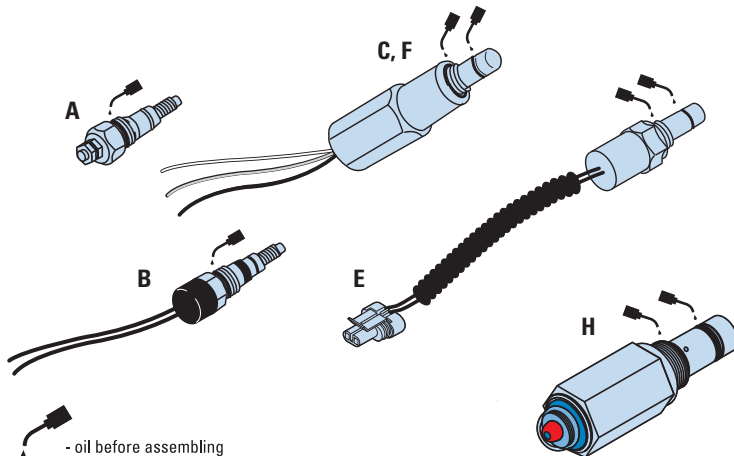
Service Indicator Choices

Use with Bypass Valve Pressure of:	Indicator Part No.	Style ²	Description
Electric Models¹			
50 psi / 345 kPa	P165194	A	Single post DC. N.O.
50 psi / 345 kPa	P574968	B	DC 2-wire
50 psi / 345 kPa	P574967	E	DC 2-wire
50 psi / 345 kPa	P575549	F	DC 3-wire
50 psi / 345 kPa	P174396	C	AC/DC 3-wire
25 psi / 172.5 kPa	P575334	H	Visual pop up
50 psi / 345 kPa	P575335	H	Visual pop up

Indicator Notes

¹All electric models have a maximum operating temperature of 250°F / 121°C.

²Complete details on all service indicators can be found in the accessories section.



Performance Data

