



Designed for the Worst Dust Conditions

New Choice for Construction and Off-Highway Applications

The SSG Air Cleaner offers design improvements over our older SRG air cleaner style.

Design Improvements

The SSG Air Cleaner has filters that use RadialSeal™ sealing technology, compared to axial seal style filters.

This single design improvement eliminates the need to replace filter and cover gaskets, which means less service time and fewer parts to inventory.



Additional design improvements: the air cleaner service cover now has quick-release cover latches and a chain that connects it to the housing.



The large, massive mining vehicle in the picture above is an ideal match for the Donaldson SSG Air Cleaner.

Ultra-Web® HD

The Donaldson Blue® replacement filters for the SSG Air Cleaner (and the SRG, STG, and STB Air Cleaners) now come standard with Ultra-Web® HD media that provides even greater efficiency than previous generation nanofibers.



Ultra-Web® HD
Up to 99.999%
Filtration Efficiency
0.01 gram dust



Ultra-Web®
Up to 99.99%
Filtration Efficiency
0.1 gram dust



Cellulose
Up to 99.9%
Filtration Efficiency
1 gram dust

This illustration represents the relative amount of dust particles that pass through air filters to the engine.



Note: Extra lead time may be required for processing and shipping.

Versatile SSG Provides Airflow to 4800 cfm With Improved Design Features Compared to our Older SRG Model

Applications

- Allows 1700 to 2400 cfm airflow throughput for the SSG 20 model and 2580 to 4800 cfm airflow throughput for the SSG 29 models
- Horizontal installation
- Off-road, heavy or extreme dust conditions
- Ideal for scrapers, earth movers, graders and haul trucks

Air Cleaner Features

- Single and dual outlet models — two high-flow models available
- Inlet has perforated holes on three sides; rain shrouds available if required
- Filters have urethane end caps with RadialSeal™ sealing technology
- Built-in pre-cleaning tubes separate up to 97% of the in-coming dust
- Latch-style cover with attached safety chain for faster and simpler filter service
- Constructed of heavy-gauge steel with a primed, ready-to-paint finish
- Same overall package size as older Donaldson SRG axial seal style housings
- Dust Dumpa tube accessory available — simplifies routine air cleaner inspections

Filter Features

- Replacement primary filter choices: Standard life filters (for scheduled maintenance) and Donaldson Blue® Ultra-Web® HD ultra-high efficiency, extended service filters for restriction maintenance practices. Air cleaners ship with the standard filters.
- Grab handles on the primary filter to help remove the loaded filter during service
- Safety filter on all models



Dust Dumpa kits installed on a Donaldson SSG29 with rain shields. Notice the piles of dust gathered on the platform during vehicle operation.

Powerful Two-Stage Filtration

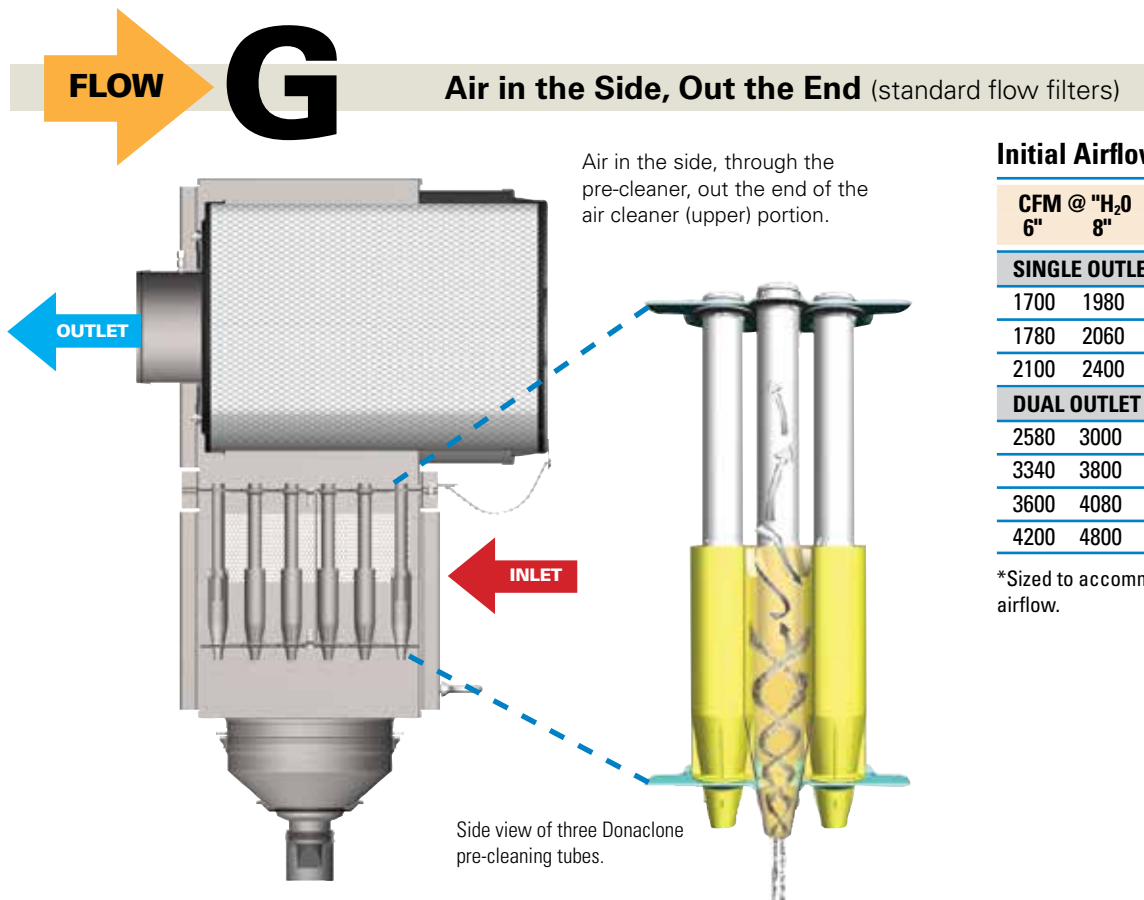
The first stage of this powerful air cleaner consists of hundreds of our exclusive, patented Donaclone™ pre-cleaner tubes. Each tube spins the incoming air to create a centrifugal force that separates up to 97% of the dust and dirt in the airstream. Donaclone™ tubes have no moving parts — so there is nothing to break down or maintain. They function properly whenever the engine is running.



The pre-cleaned dust is automatically ejected from the dust cup with a Vacuator™ Valve, which is located below the lower housing body.

The second stage of filtration is the primary filter. A safety filter, which fits inside the primary filter, is standard on all models for protection during primary filter change out.





Initial Airflow Restriction

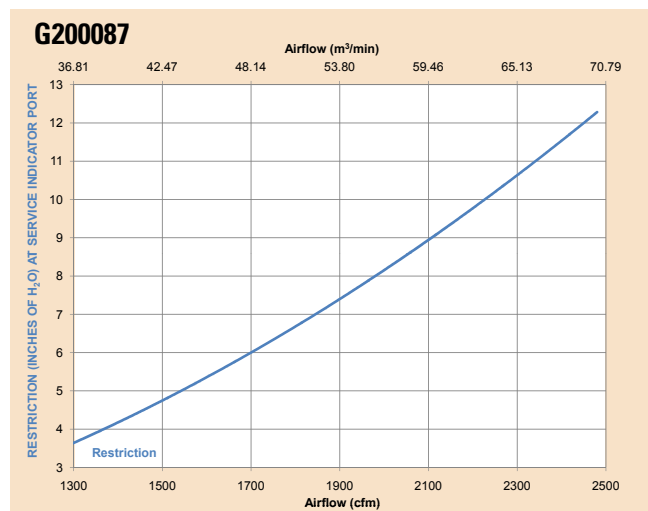
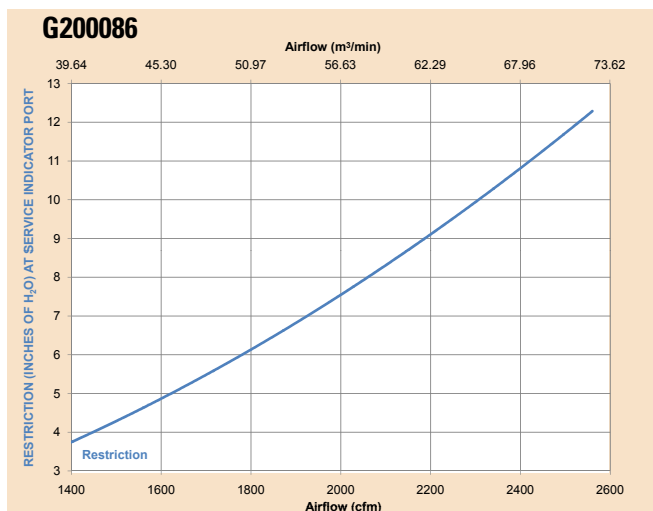
CFM @ 6"	"H ₂ O 8"	Air Cleaner Model
SINGLE OUTLET MODELS		
1700	1980	G200087
1780	2060	G200086
2100	2400	G200088*
DUAL OUTLET MODELS		
2580	3000	G290057
3340	3800	G290052
3600	4080	G290053
4200	4800	G290055*

*Sized to accommodate higher airflow.

When Selecting an Air Cleaner . . .

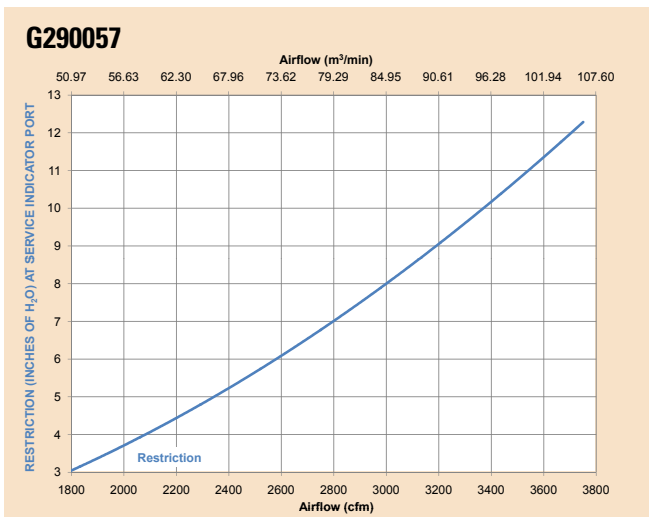
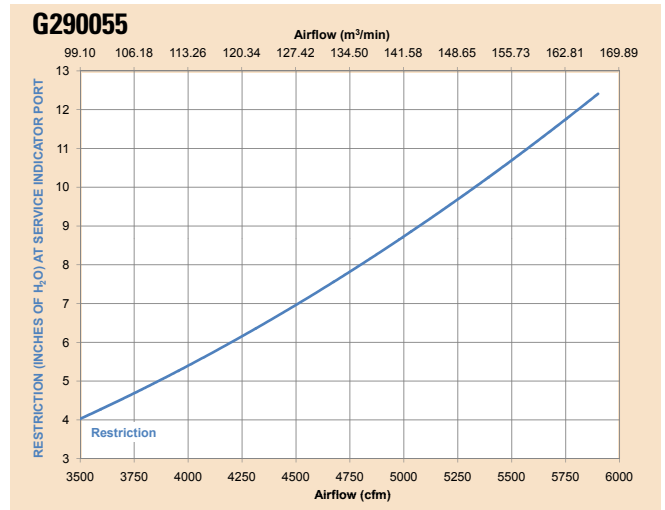
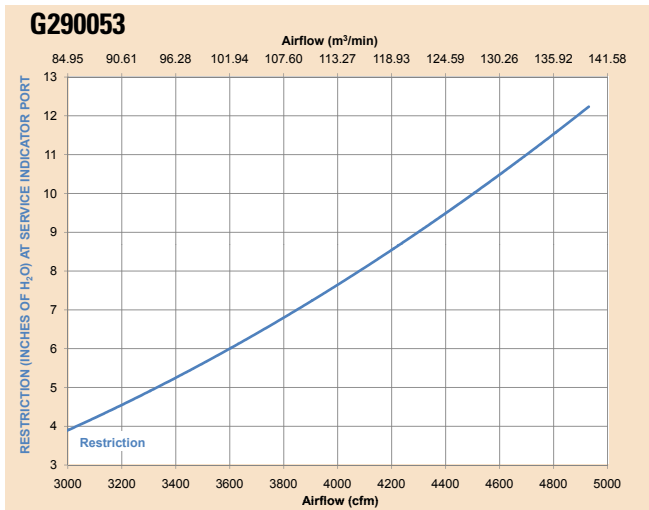
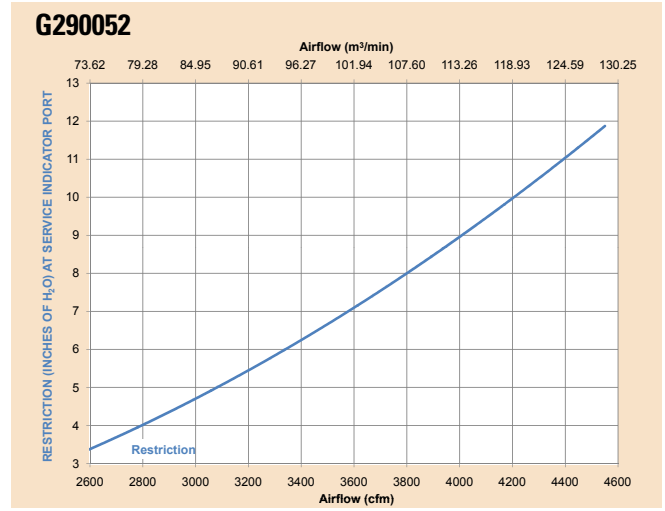
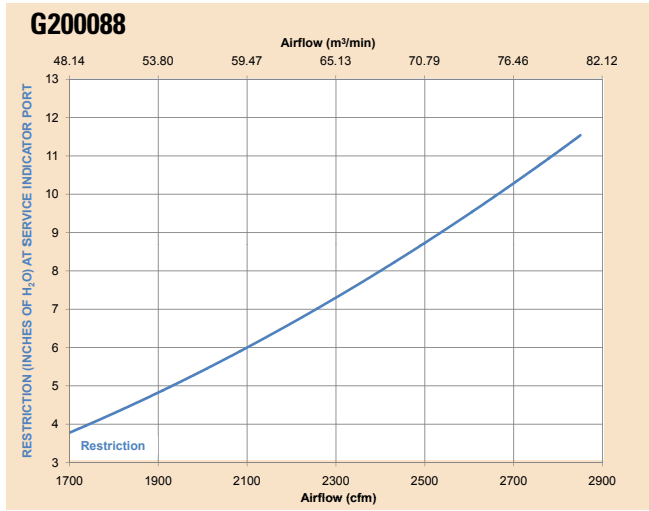
Determine the airflow requirements of your engine, then find the corresponding cfm airflow in the table above. The restriction numbers (shown in inches of water) indicate the approximate initial restriction of each model air cleaner at that cfm. If there are two air cleaner models that fit your parameters, choosing the one with the lower restriction will provide longer filter service life. When calculating total initial restriction of the entire air intake system, include the restriction caused by ducting, elbows, and pre-cleaners. See pages 271-272 for ducting restriction estimates.

SSG Air Cleaner Performance Curves**



**Results generated using laboratory testing pursuant to ISO5011. Actual performance during use may vary depending on multiple factors, including specific product configuration, external conditions and application.

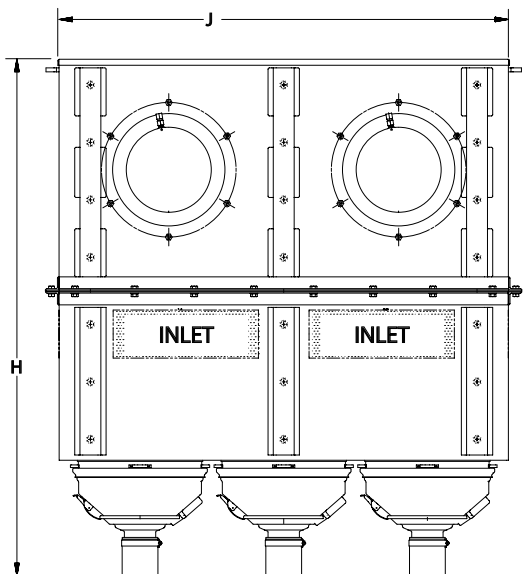
continued — S&S Air Cleaner Performance Curves



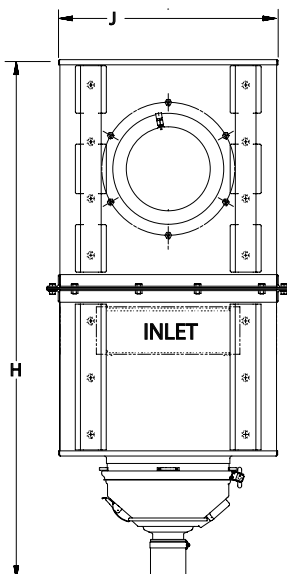


SSG Specification Illustrations

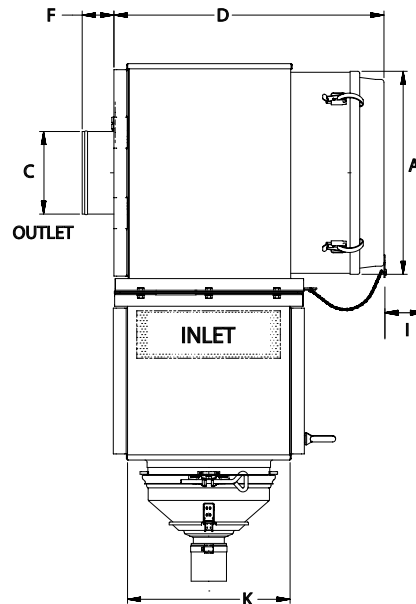
Front View Dual Outlet



Front View Single Outlet



Side View Dual and Single



SSG Specifications

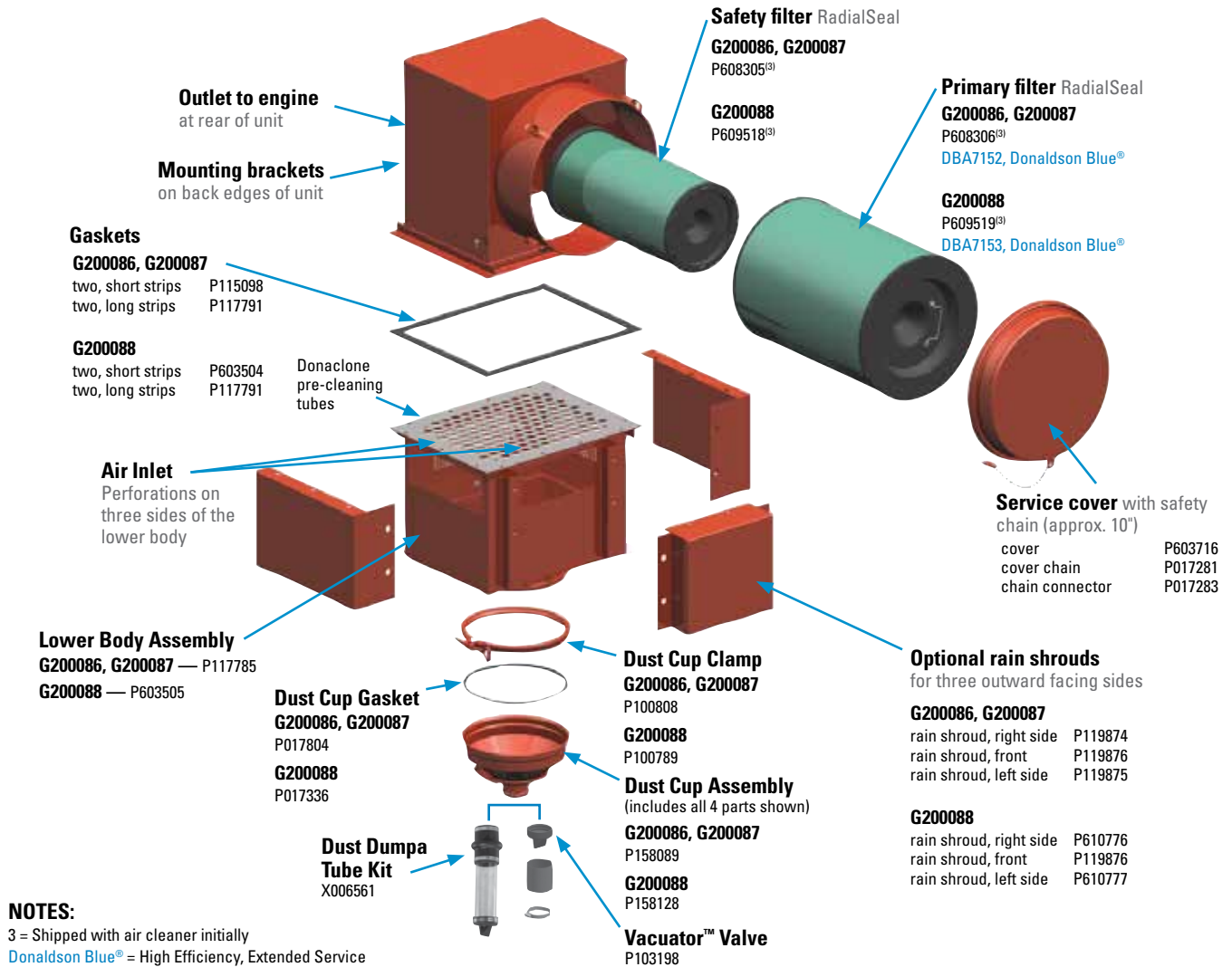
Air Cleaner Models	Body Diameter (A)		Outlet Diameter (C)		Length (D)		Outlet Length (F)		Height (H)		Service Clearance (I)		Width (J)		Depth (K)		Weight	
	in	mm	in	mm	in	mm	in	mm	in	mm	in	mm	in	mm	in	mm	lbs	kg
SINGLE OUTLET MODELS																		
G200087	19.67	500	8.0	203	26.2	665	3	76	50.15	1274	22.0	559	21.00	533	15.75	400	200	91
G200086	19.67	500	10.0	254	26.2	665	3	76	50.15	1274	22.0	559	21.00	533	15.75	400	200	91
G200088	19.67	500	10.0	254	31.4	798	3	76	50.15	1274	27.0	686	21.00	533	23.50	597	240	109
DUAL OUTLET MODELS																		
G290057	19.67	500	8.0	203	26.2	665	3	76	49.42	1255	22.0	559	43.00	1092	15.75	400	340	154
G290052	19.67	500	8.0	203	26.2	665	3	76	49.42	1255	22.0	559	43.00	1092	15.75	400	340	154
G290053	19.67	500	10.0	254	26.2	665	3	76	49.42	1255	22.0	559	43.00	1092	15.75	400	340	154
G290055	19.67	500	10.0	254	31.4	798	3	76	49.42	1255	27.0	686	43.00	1092	23.50	597	420	190

Accessories Recommendations

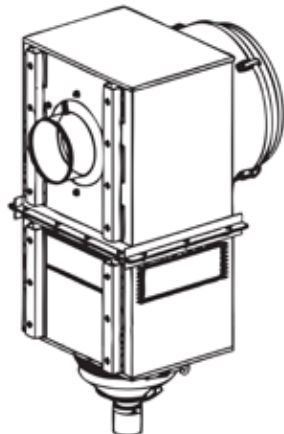
Air Cleaner Model	Outlet Band Clamp	Hump-hose Connector	Elbows		Restriction Indicator
			45°	90°	
G200088	P148350	P111414	P114313	P114314	X002277
G290055	P148350	P111414	P114313	P114314	X002277
G290057	P629991	P112608	P112606	P112605	X002277

Service Parts Listing by Model Number

Single Outlet Model — SSG 20



Mounting (back) side view of an SSG 20 model



SSG Housing Primary Filter Choices

For ultra-high efficiency filtration, upgrade to Donaldson Blue® Air Filters with Ultra-Web® HD Filtration Technology. SSG Air Cleaners and retrofit kits ship with standard life filters.

Air Cleaner	Standard Life	Ultra-High Efficiency
G200086	P608306	DBA7152
G200087	P608306	DBA7152
G200088	P609519	DBA7153

Ultra-Web® HD

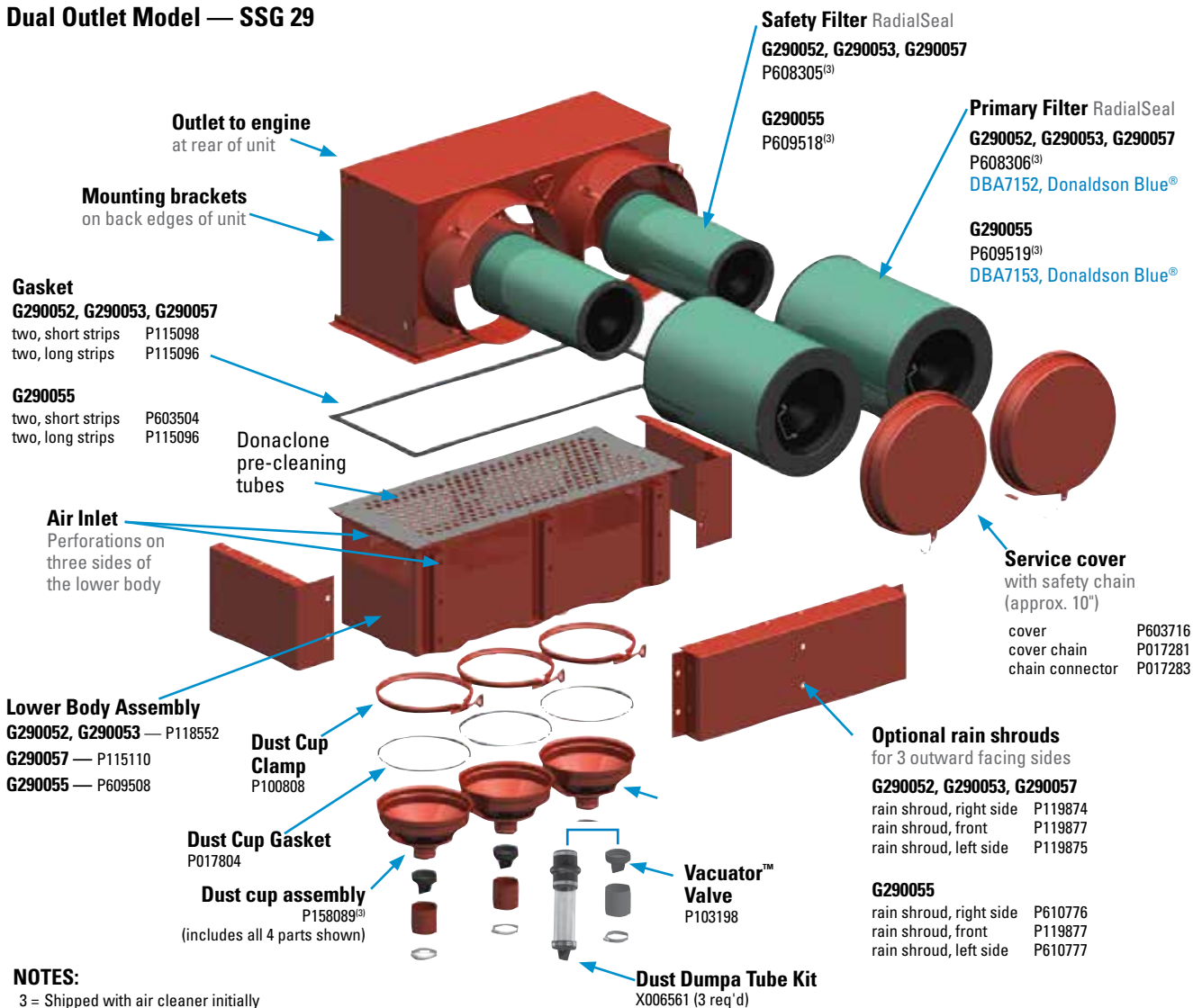
Donaldson Blue® air filters for SSG air cleaners have Ultra-Web® HD media that provides higher efficiency compared to previous generation nanofibers.





Service Parts Listing by Model Number

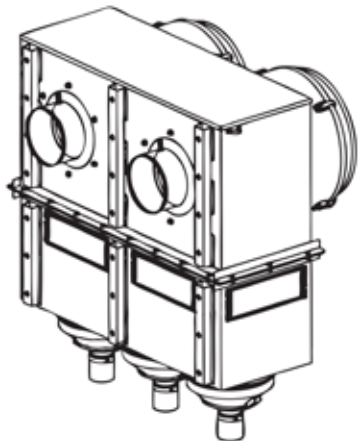
Dual Outlet Model — SSG 29



NOTES:

3 = Shipped with air cleaner initially
Donaldson Blue® = High Efficiency, Extended Service

Mounting (back) side view of an SSG 29 model



SSG Housing Primary Filter Choices

For ultra-high efficiency filtration, upgrade to Donaldson Blue® Air Filters with Ultra-Web® HD Filtration Technology. SSG Air Cleaners and retrofit kits ship with standard life filters.

Air Cleaner	Standard Life	High Efficiency
G290052	P608306	DBA7152
G290053	P608306	DBA7152
G290055	P609519	DBA7153
G230057	P608306	DBA7152

Ultra-Web® HD

Donaldson Blue® air filters for SSG air cleaners have Ultra-Web® HD media that provides higher efficiency compared to previous generation nanofibers.



This servicing information is provided as a best practices guide. It is not intended to replace or supersede the service instructions supplied by your engine or vehicle manufacturer.

SERVICE TRAINING VIDEOS



<http://www.youtube.com/user/donaldsonengine>

Donaldson Service Training Videos are on YouTube. Scan the QR code or go to <http://www.youtube.com/user/donaldsonengine> to watch videos on how to service Donaldson Air Cleaners, like the SSG.

1 Check the Restriction

Replace the filter only when the restriction level has reached the maximum recommended by the engine or equipment manufacturer.



2 Empty the Dust Cup & Check the Vacuator™ Valve

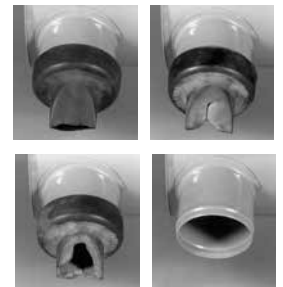
Shut off the engine. The dust cup should be emptied when it is 2/3 full. Frequency of dust cup service varies with dust severity. On dust cups with a Vacuator™ Valve, dust cup service is minimal.

Just check the Vacuator™ Valve to see that it is not inverted, damaged or plugged. If it looks damaged or is missing, replace it immediately. When reinstalling the dust cup, be sure it seals properly 360° around the air cleaner body.

The optional Donaldson Dust Dumpa tube extension is available for the SSG.



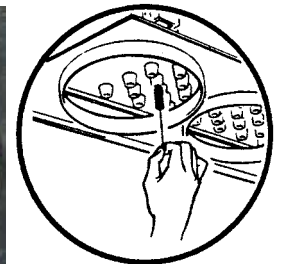
If your SSG Air Cleaner has a dust cup with a Vacuator Valve, replace it immediately if it is inverted or looks like any of the images below.



3 Inspect the Donaclone™ Pre-Cleaning Tubes

Visually check the Donaclone tubes. Generally, the tubes are self-cleaning and need no service, but under unusual circumstances, plugging can occur. In those circumstances, cleaning with a stiff brush may be required.

Never clean Donaclone tubes with compressed air unless both the primary and safety filters are properly fitted in place. Do not steam-clean Donaclone tubes.



Continued on next page



4 Remove the Primary Filter and Visually Inspect the Safety Filter

When the restriction indicates that filter service is required, unfasten or unlatch the filter service cover. Because the filter fits tightly over the outlet tube there will be some initial resistance, similar to breaking the seal on a jar. Grasp the filter service handle and pull the filter out. Gently move the filter from side to side to break the seal, but avoid knocking the filter against the housing during removal.

Visually check safety filter for damage and replace if damaged, but do not remove it unless a change-out is necessary. You should replace the safety filter every three primary filter changes. Also verify that the safety filter is properly seated in the housing. If the safety filter is removed and the new filter is not to be installed immediately, be sure to cover the seal tube with a cloth or the housing cover.

Wipe the interior of the air cleaner with a clean damp cloth.



Note: If you perform filter maintenance service on a schedule vs. using service indicators, you may want to write the service date on the filter end cap.

The safety filter should be replaced every three primary filter changes.

5 Inspect and Install the New Filter(s)

Inspect the new filter carefully, paying attention to the inside of the open end, which is the sealing area. NEVER install a damaged filter. A new Donaldson RadialSeal™ filter may have a dry lubricant on the seal to aid installation.

If you are servicing the safety filter, make sure it is seated into position before installing the primary filter.

Insert the new filter carefully by hand, making certain it is completely seated into the air cleaner housing before securing the cover in place.

The critical sealing area will compress slightly, adjust itself and distribute the sealing pressure evenly. To complete a tight seal, apply pressure by hand at the outer rim of the filter, not at the center. (Avoid pushing on the center of the end cap.) No cover pressure is required to hold the seal.



Note: NEVER use the service cover to push the filter into place! Using the cover to push the filter in could cause damage to the housing or cover fasteners and will void the warranty.

If the service cover contacts the filter before it is fully in place, remove the cover and push the filter (by hand) further into the air cleaner and try again. The cover should go on with no extra force.

Once the filter is in place, secure the service cover.



6 Inspect Air Cleaner System

Finally, inspect and tighten all air cleaner system hoses, tubing and connections. If there are holes or damage, replace immediately. Reset filter service indicators if they don't automatically reset.

